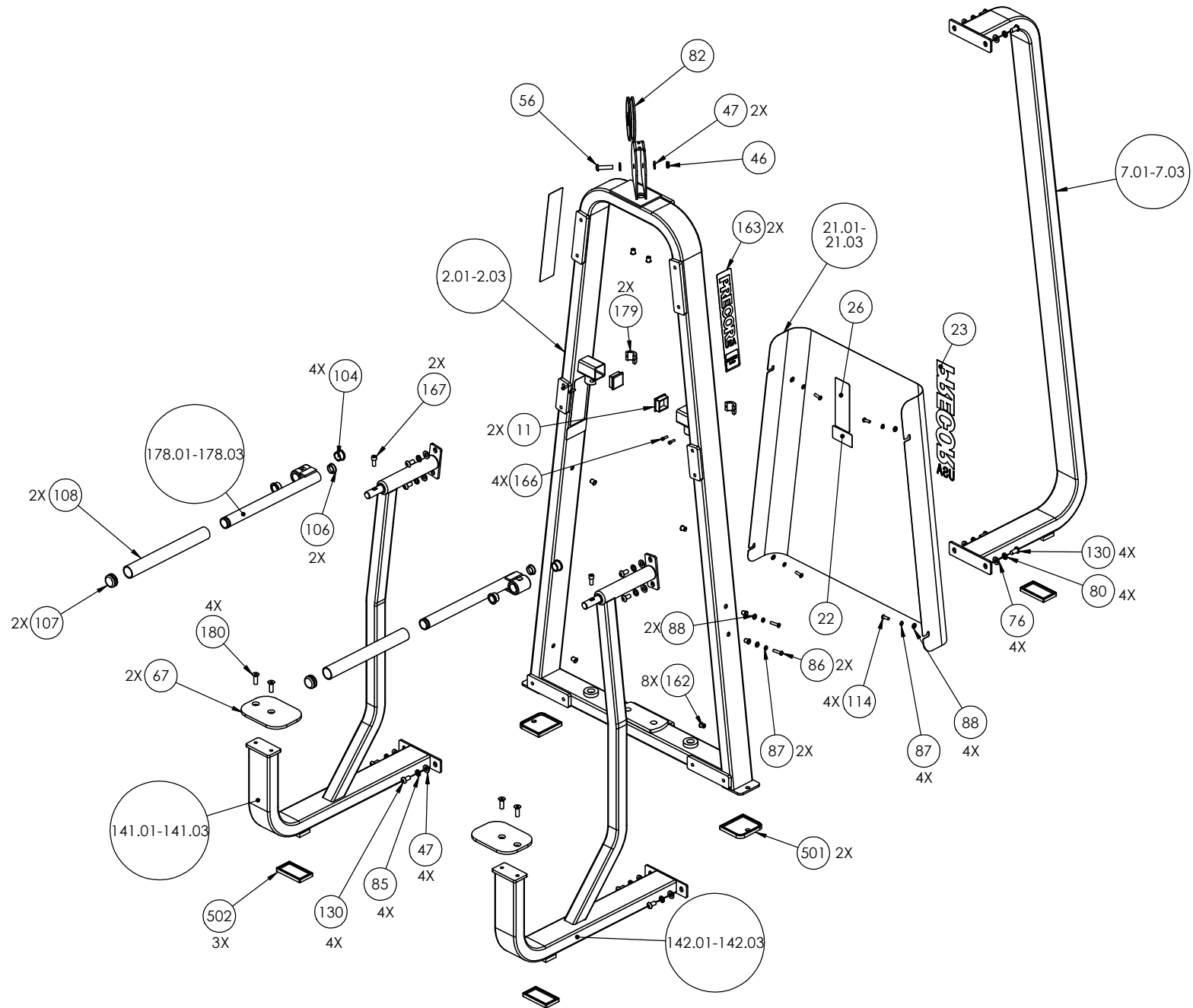


CW320KS	P/N : CW33596-101	SUBREV : G
DRAWN BY : MAH	DATE : 10.25.11	SHEET 1 OF 4



D

C

B

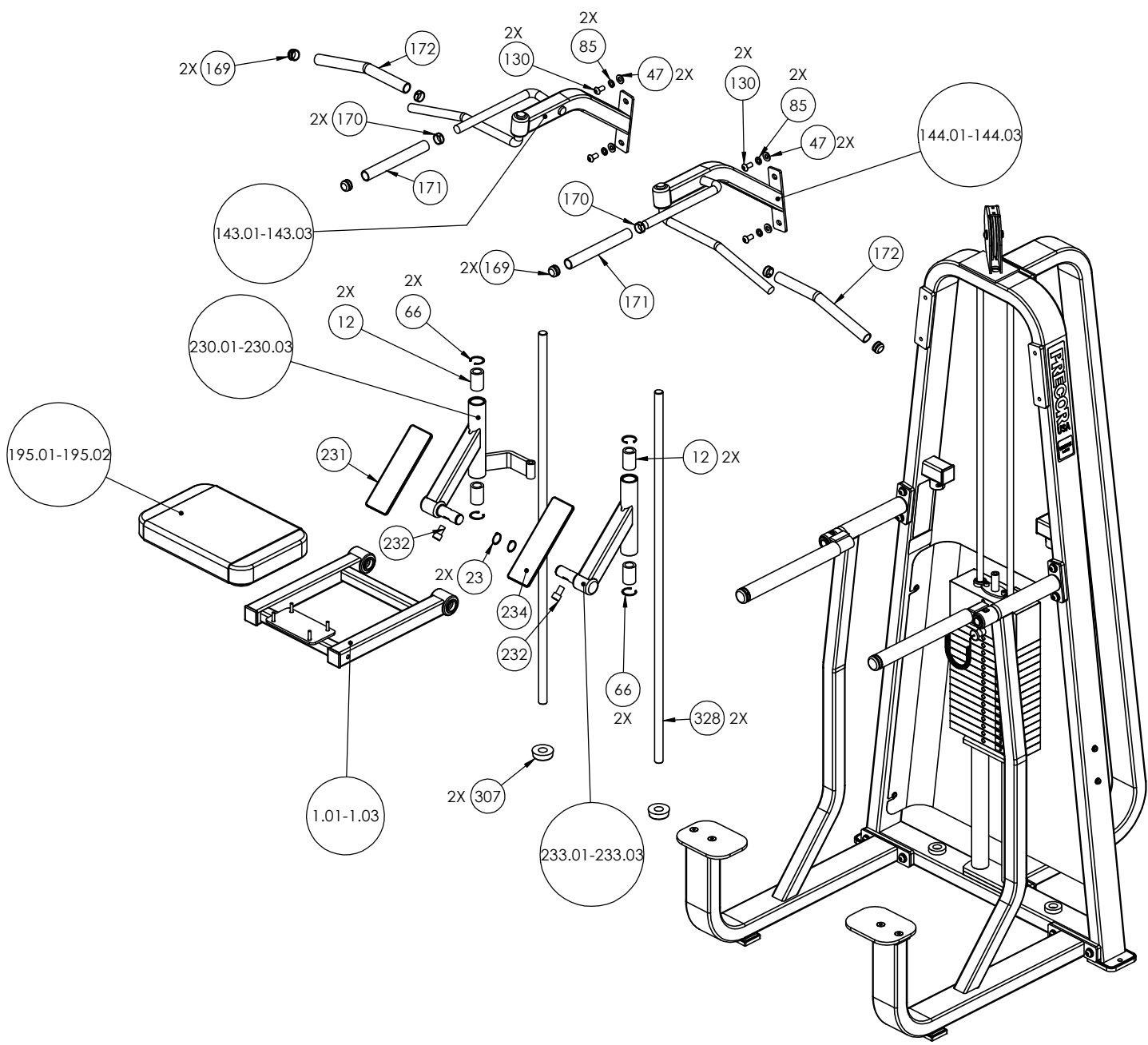
A

4

3

2

1

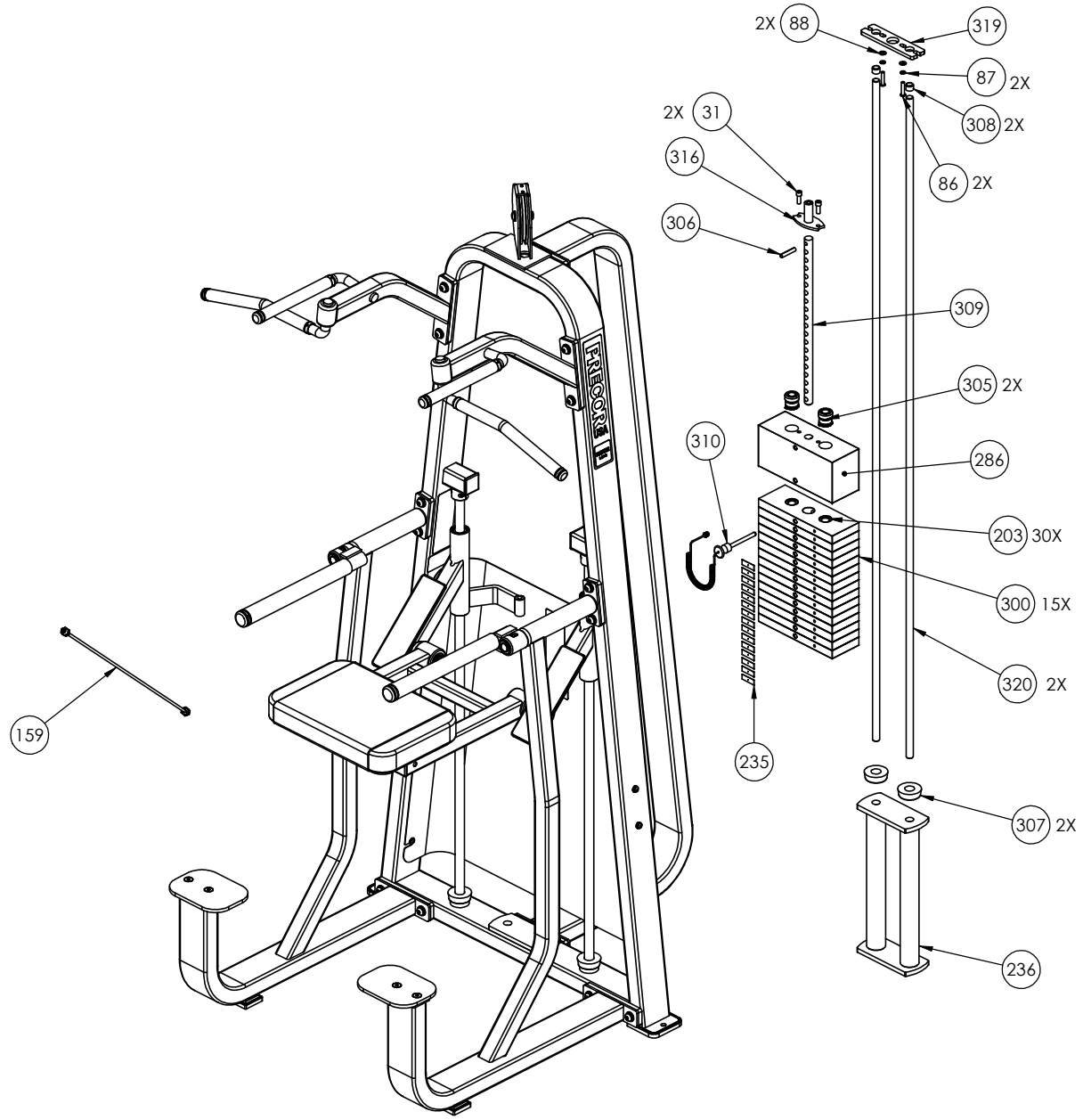


4

3

2

1



320KS Dip Chin Assist

Part Number	Description	Bubble Number
CW33561-302	ASSY, SUPPORT, KNEE PAD, DIP-CHIN A	1.02
CW11311-103	ENDCAP, REC TUBE, 2X2, BLK PLASTIC	11
CW12571-101	LINEAR BEARING, CLOSED TYPE, 1.000/	12
CW32839-301	ASSY, SHROUD, #8, TOP, CUSTOM	21.02
CWAACN125-005	RETAINING RING, EXTERNAL 1.250 DIA	23
CWEANN016-013	SCREW, SET, SCKT, CUP POINT, 8-32 X	36
CWKAYN050-031	LOCKNUT, NYLON INSERT, HALF, UNC, 1	46
CWWBKN050-010	WASHER, FLAT, TYPE A, SAE, 1/2 ID X	47
CWTAYN050-200	SCREW, BUTTON HEAD, BLK XYLAN, 1/2	56
CW11311-103	ENDCAP, REC TUBE, 2X2, BLK PLASTIC	65
CWACHN125-006	SNAP RING RETAINER,(SUPER 16)	66
CW33547-781	PLATE, STEEL, FLAT, .25 X 6.00 X 8.	67
CWWBKN050-010	WASHER, FLAT, TYPE A, SAE, 1/2 ID X	76
CWWALYN050-013	WASHER, SPLIT, 1/2 ID, BLK XYLAN	80
CWAC1010-101	PULLEY, 6 DIA X 1/2 ID	82
CWWALYN050-013	WASHER, SPLIT, 1/2 ID, BLK XYLAN	85
CWTAYN031-150	SCREW, BUTTON HEAD, BLK XYLAN, 5/16	86
CWWALYN031-008	WASHER, SPLIT, 5/16 ID, BL	87
CWWBKN031-007	WASHER, FLAT, TYPE A, SAE, 5/16 ID	88
CWWABKN031-007	WASHER, FENDER,BLK ZN, 5/16 ID X 1	88
CW10043-135	BUSHING, BRONZE, 1 1/4" ID X 1 1/2"	92
CW10043-134	BUSHING, BRONZE, 1" ID X 1 1/4" OD	104
CW11095-105	CAP, PLASTIC, HEYCO, DOME PLUG, 1.2	106
CWAC242-901	HANDLE END CAP W/SET SCREWS, DIA 1	107
CWGR4915-000	GRIP, RUBBER, 1.50" OD HANDLE, 15.0	108
CWTAYN031-100	SCREW, BUTTON HEAD, BLK XYLAN, 5/16	114
CWTAYN050-100	SCREW, BUTTON HEAD, BLK XYLAN, 1/2	130
CW33552-301	ASSY, ARM, LEFT, DIP-CHIN ASSIST, 3	143.02
CW33556-301	ASSY, ARM, RIGHT, DIP-CHIN ASSIST,	144.02
CW12537-109	NUT,INSERT,THIN-NUT,LARGE FLANGE	162
CW31756-101	LABEL, PRECOR USA ICARIAN LINE	163
CWCGYN025-075	SCREW, SOCKET HEAD, BLK XYLAN, 1/4-	166
CWCAYN044-100	SCREW, SOCKET HEAD, BLK XYLAN, 7/1	167
CWAC218-901	HANDLE END CAP W/SET SCREWS, DIA 1"	169
CWAC219-902	HNDL RETAINER RNG, W/SS,1.040" I.D.	170
CWGR4610-000	GRIP, RUBBER, 1.00" OD HANDLE, 10.0	171
CWGR4615-000	GRIP, RUBBER, 1.00" OD HANDLE, 15.0	172
CW33668-732	SHAFT COLLAR, 1.00 ID X 1.75 OD, W/	179
CWMAJGN050-150	SCREW, FLAT HEAD, SOCKET,BLK OXIDE,	180
CW33565-302	ASSY, SLIDE, LEFT, DIP-CHIN ASSIST,	230.03
CW33571-101	ASSY, PLACARD, LEFT, 320KS	231
CWCAKN063-100	SCREW, SOCKET HEAD, BLK ZN, 5/8-11	232
CW33569-302	ASSY, SLIDE, RIGHT, DIP-CHIN ASSIST	233.03
CW33572-101	ASSY, PLACARD, RIGHT, 320KS	234
CW33557-721	WELDMENT, WEIGHT STACK RISER, WRKL	236
CW12402-101	BUMPER, ID 1.050, BLK RUBBER	307
CW12404-101	CAP, GUIDE ROD,DIA 3/4, BLK	308
CW33870-102	ASSEMBLY, 5" WEIGHT STACK PIN & LEA	310

CWPF1016-101	UHMWPE, GUIDE ROD CAPTURE PLATE	319
CWPF1218-712	GUIDE ROD,DIA 3/4, #8,CHM	320
CWPF3503-901	GUIDE ROD,STEEL,OD .995 X 50.38, CA	328
CW50286-302	KIT, 320 KNEE PAD UPGRADE, CUSTOM	503.02